

STEP BY STEP INSTALLATION GUIDE

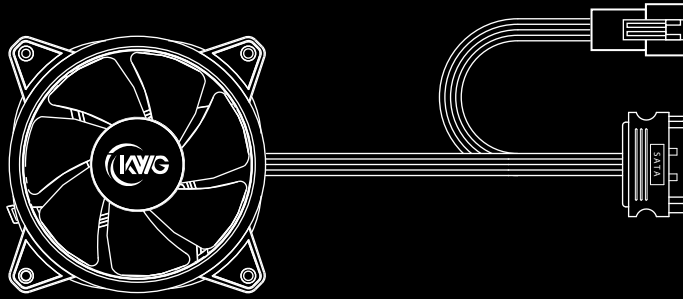
THE IMAGE IS FOR REFERENCE ONLY.



CRATER | **M15**
CPU LIQUID COOLER | **240mm**

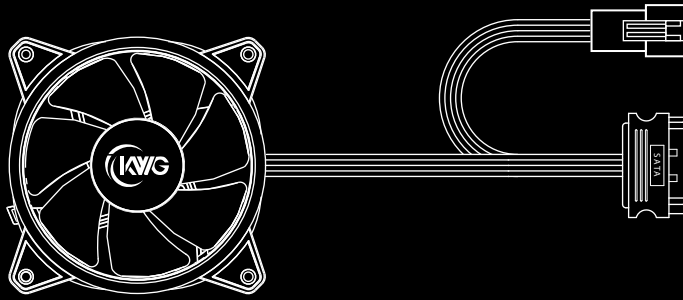
Package Contents

A-I



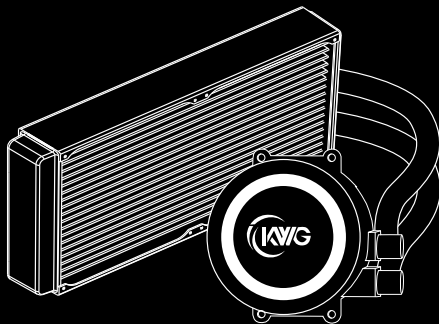
X1

A-II



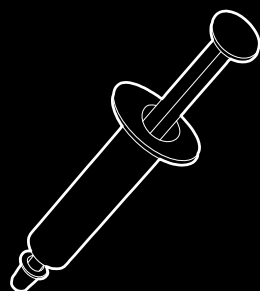
X1

B



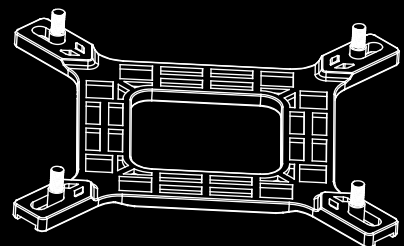
X1

C



X1

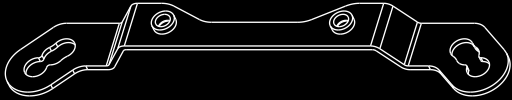
D



X1

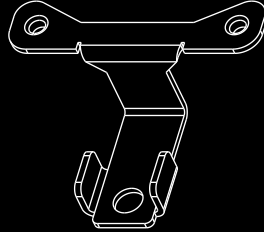
Package Contents

E



X2

F



X2

G



X2

H



X4

I



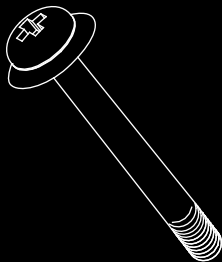
X4

J



X2

K



X8

L



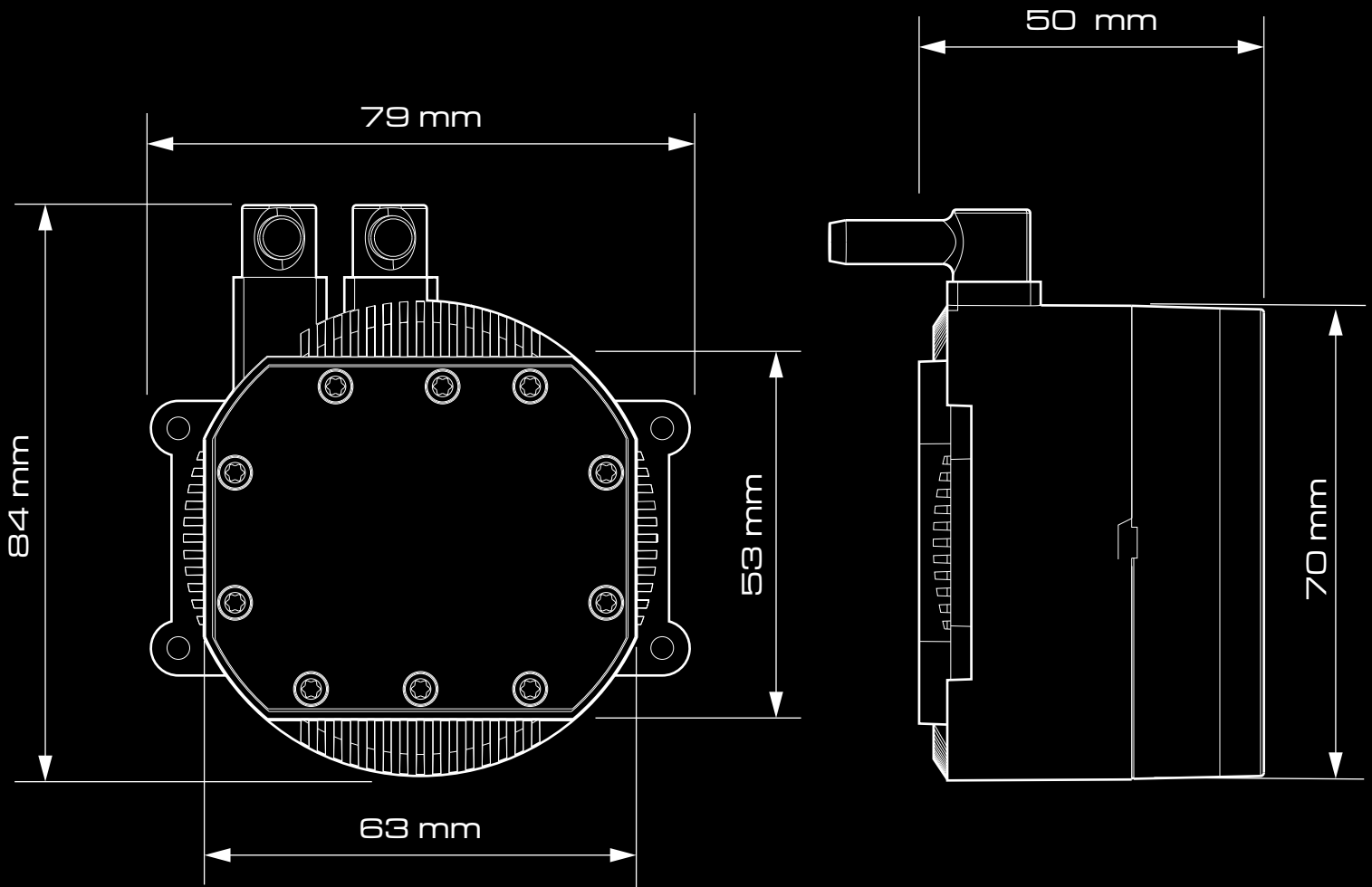
X8

M

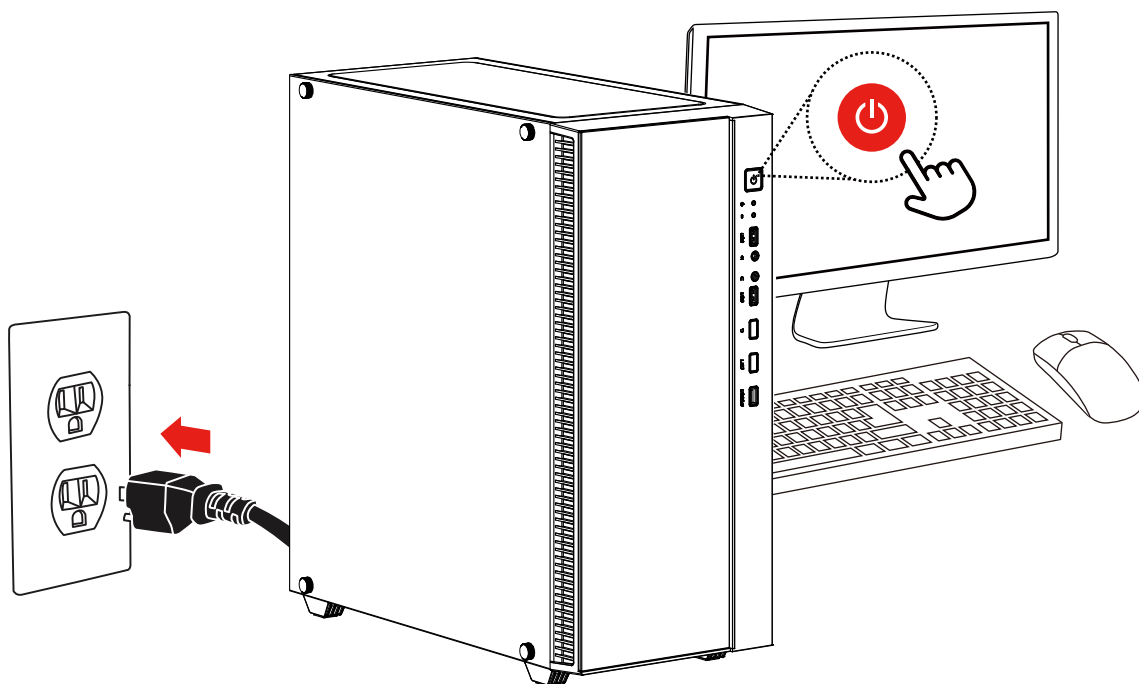


X4

Pump Dimensions



1



English

- ◆ Make sure that your system is turned off and unplugged.

Français

- ◆ Assurez-vous que le système est éteint et débranché.

Русский

- ◆ Убедитесь, что система выключена и отключена от электросети.

Deutsch

- ◆ Stellen Sie sicher, dass Ihr System ausgeschaltet und alle Stromkabel gezogen sind.

繁體中文

- ◆ 請確定系統已關閉且已斷電。

简体中文

- ◆ 请确保系统已关闭，并已拔出插头。

Español

- ◆ Asegúrese de que el sistema está apagado y desenchufado.

Italiano

- ◆ verificare che il sistema sia spento e scollegato.

Português

- ◆ Certifique-se que o seu sistema está desligado e sem corrente eléctrica.

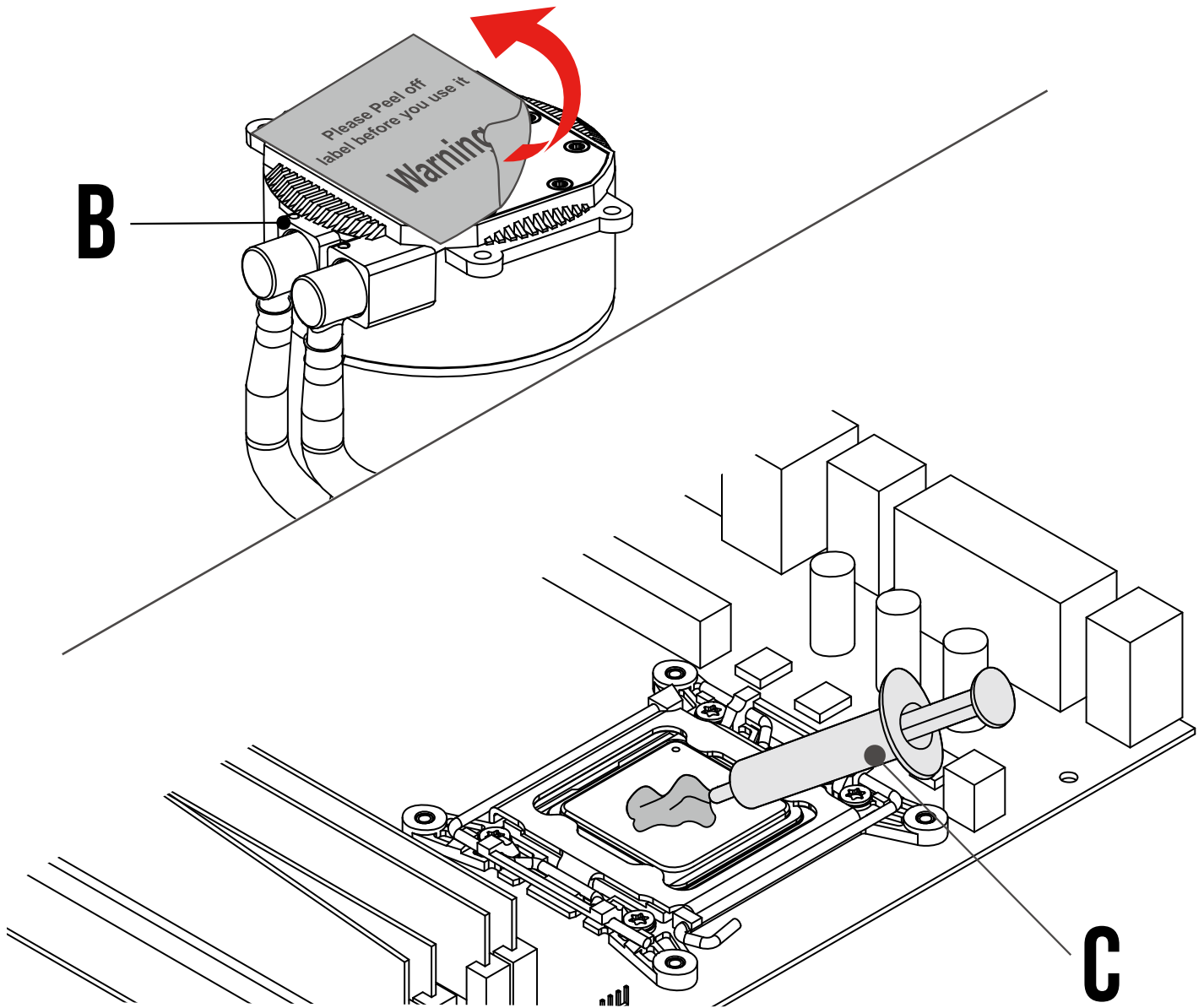
Türk dili

- ◆ Sisteminizin kapalı olduğundan ve fişinin takılı olmadığından emin olun.

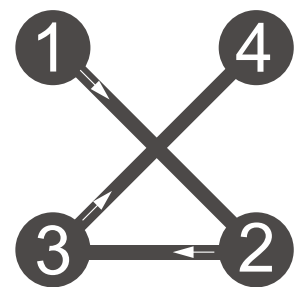
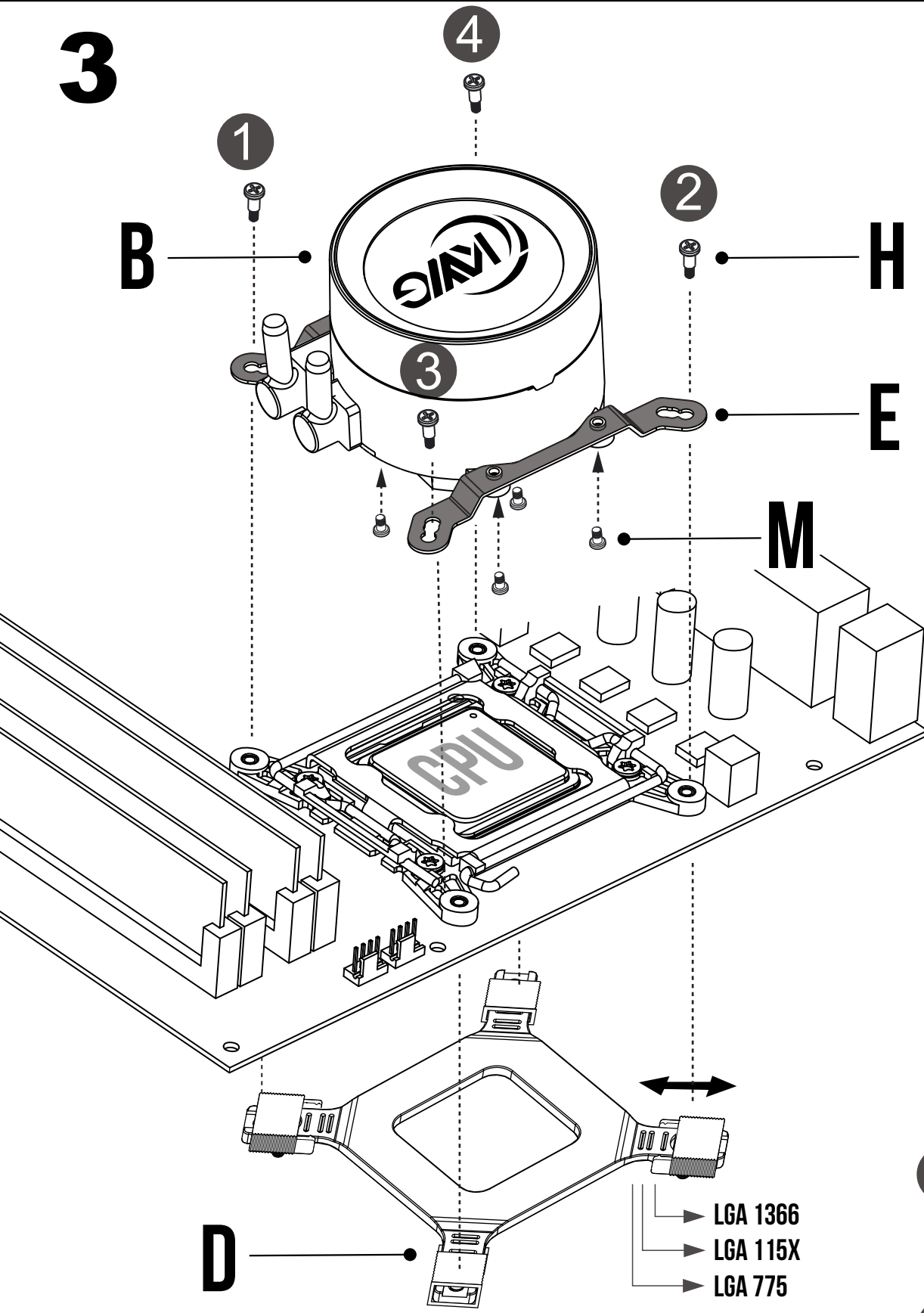
日本語

- ◆ システムがオフになっており、プラグを抜いていることを確認してください。

2



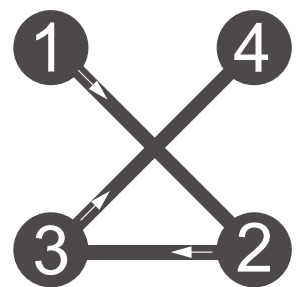
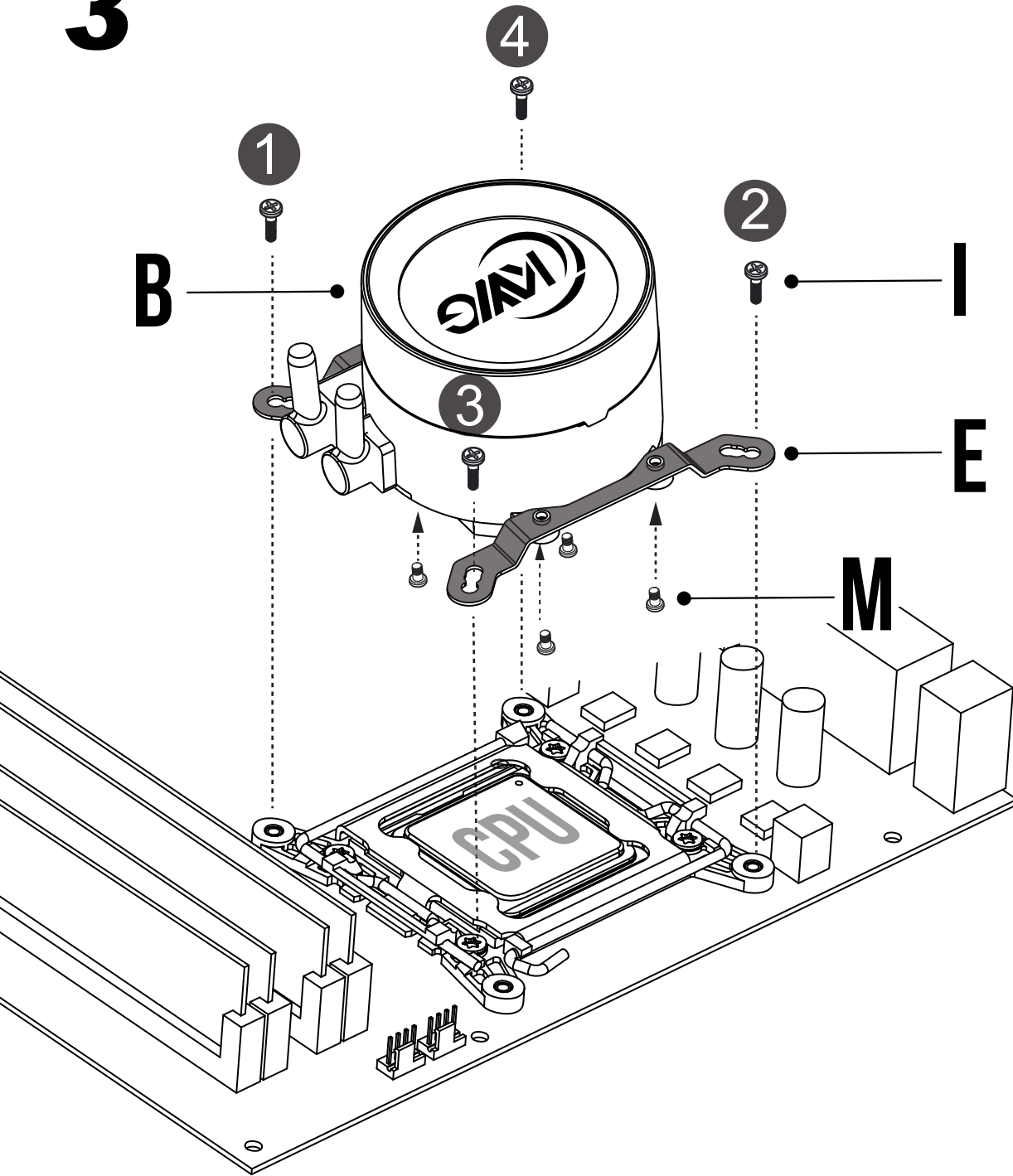
INTEL (LGA 1366/115X/775)



Please tighten the screws in a diagonal sequence to spread the tension properly.

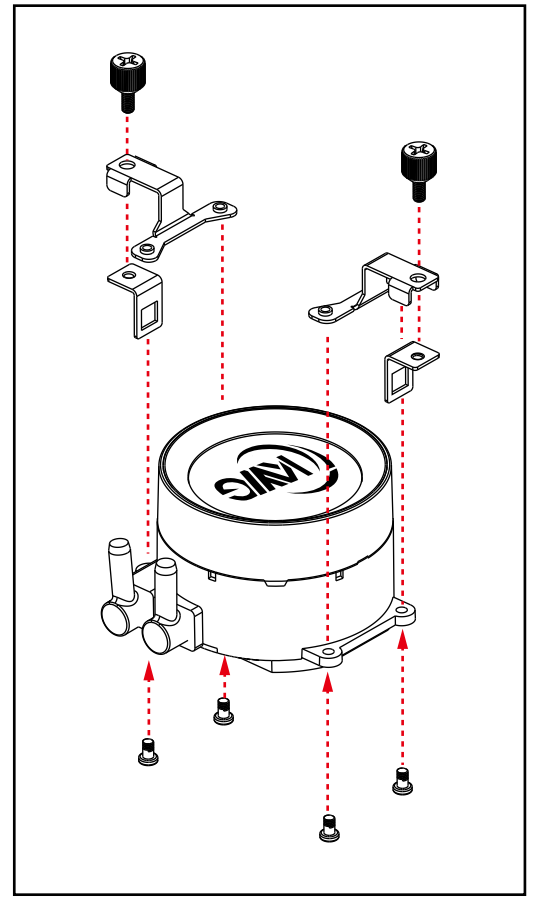
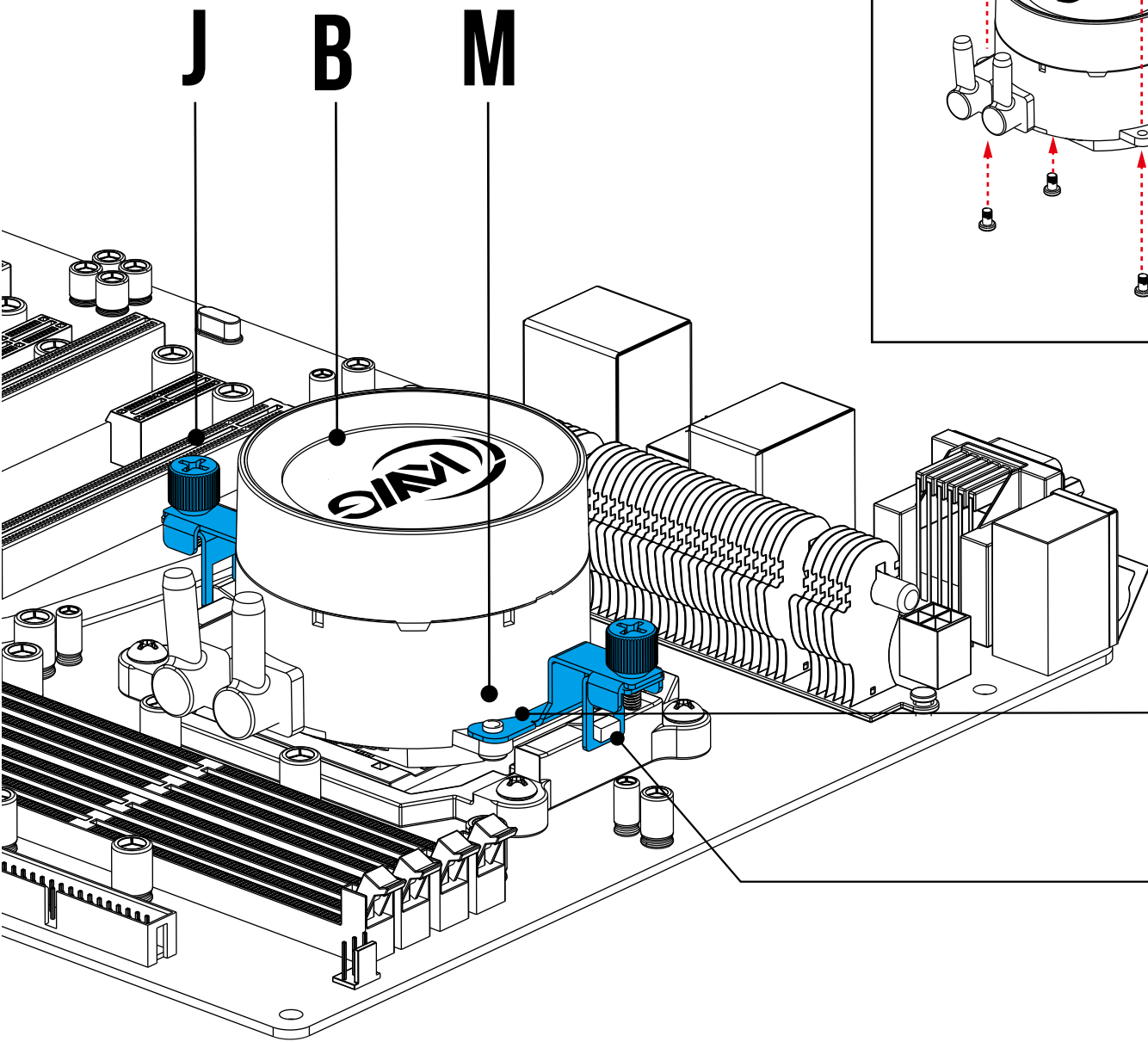
INTEL (LGA2066/2011/2011-3)

3

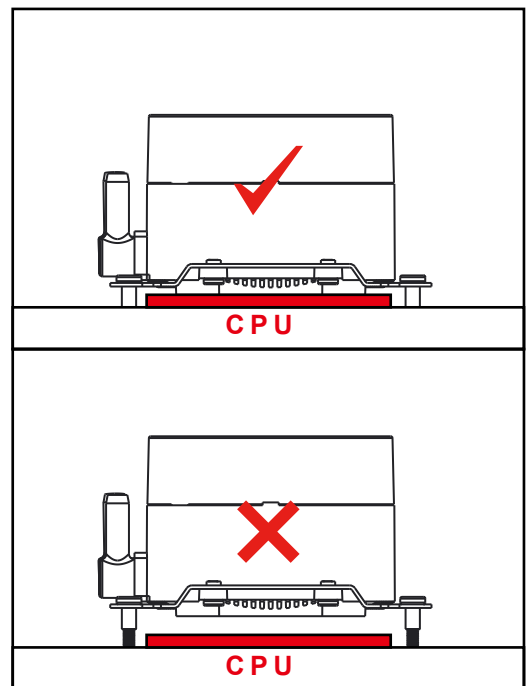
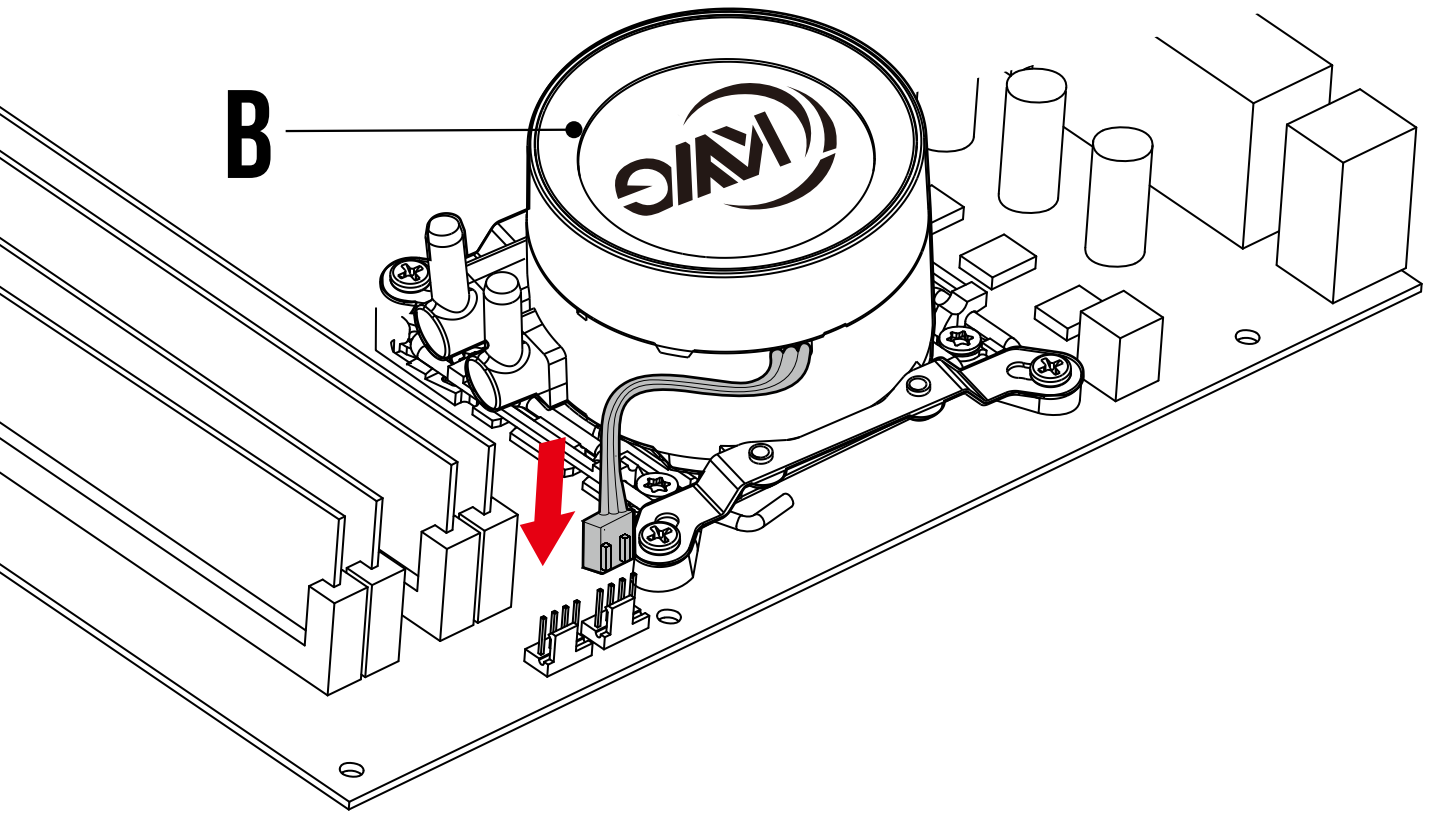


Please tighten the screws in a diagonal sequence to spread the tension properly.

3

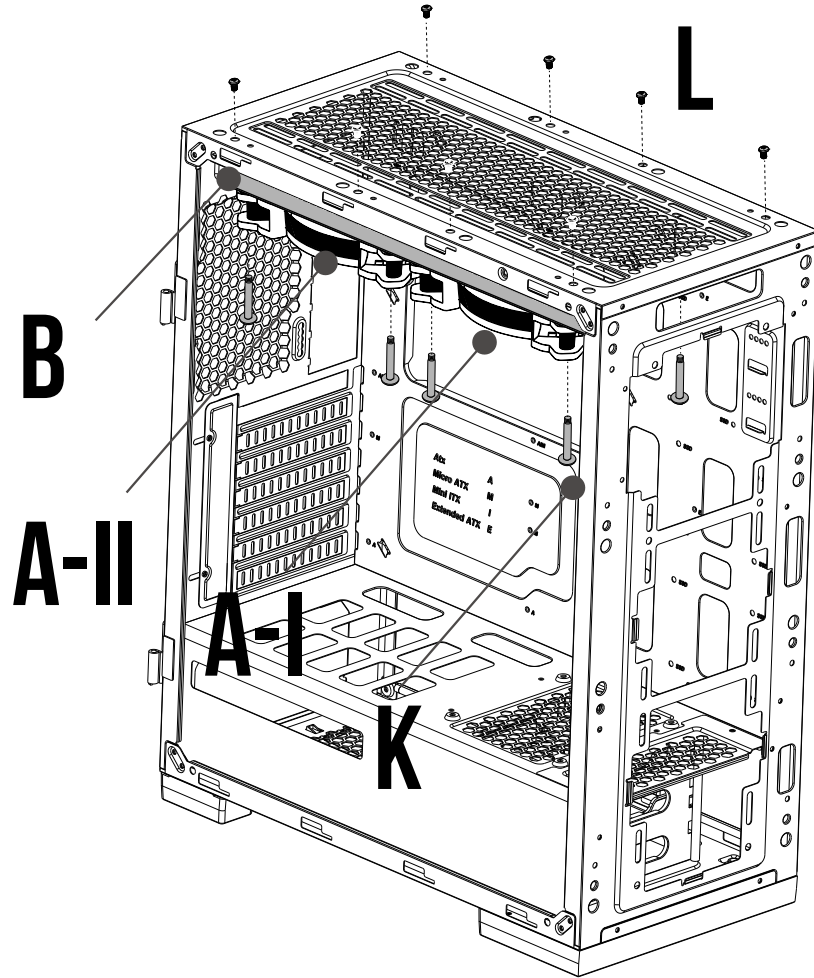


4

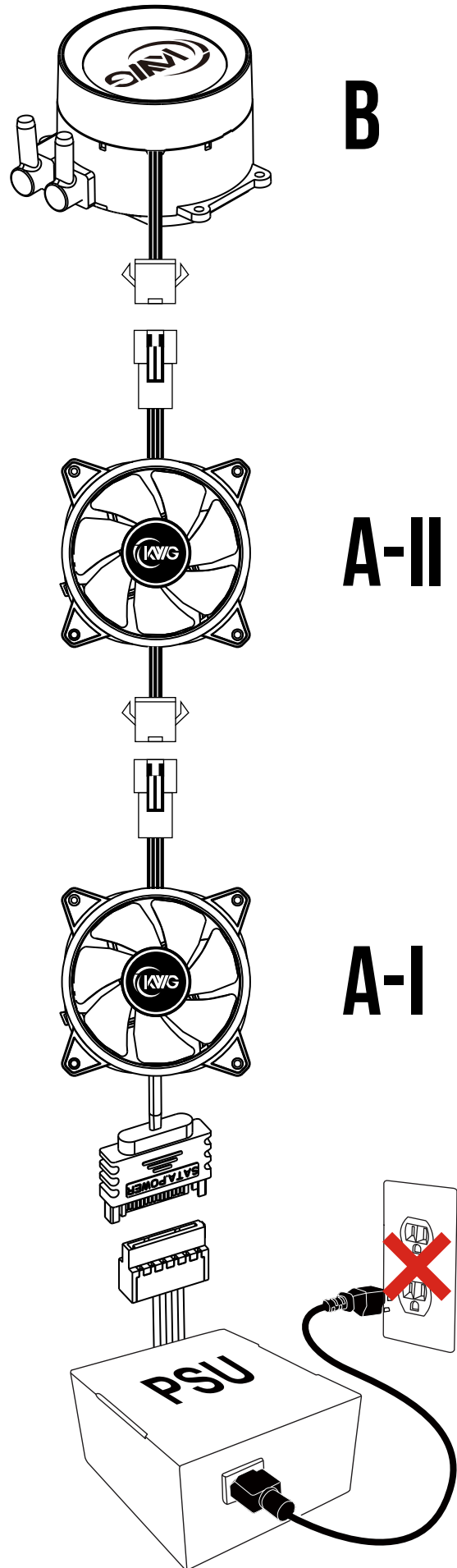


Make sure pump firmly touch CPU

5



6



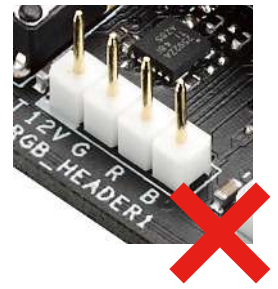
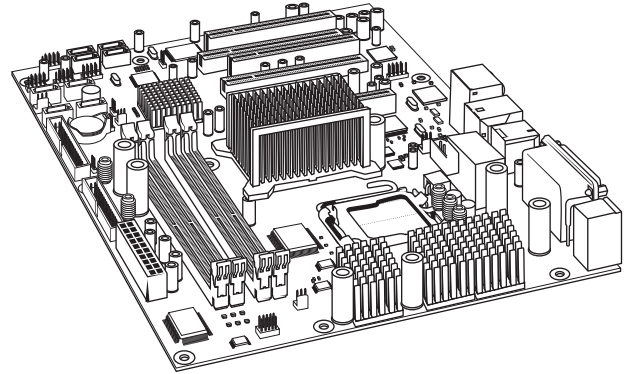
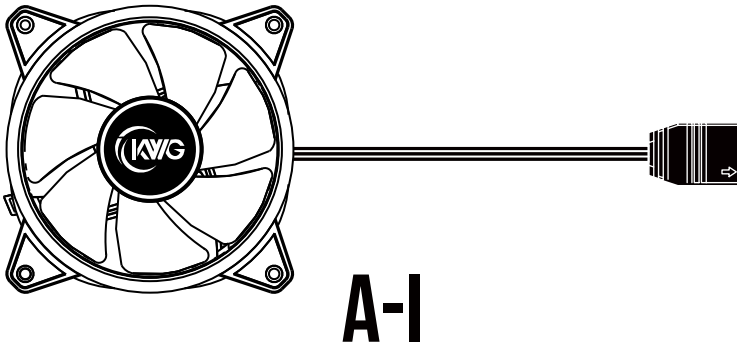
B

A-II

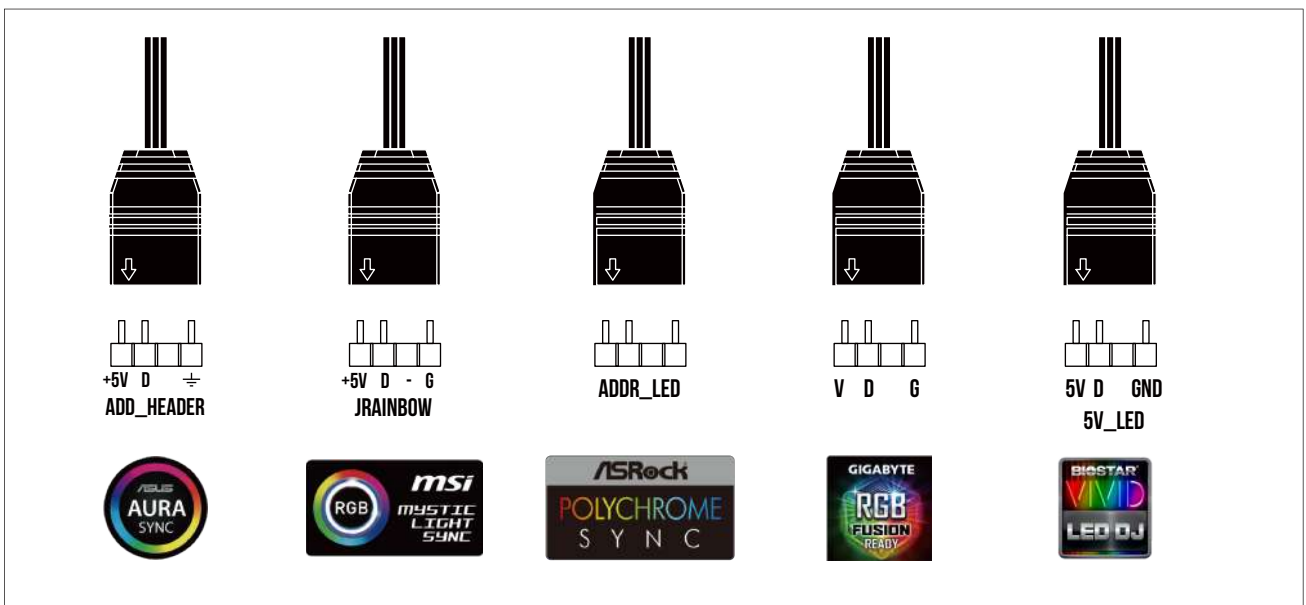
A-I



7 If your motherboard has 5V 3-Pin addressable (digital) RGB header, you can customize RGB lighting via motherboard manufacture sync software

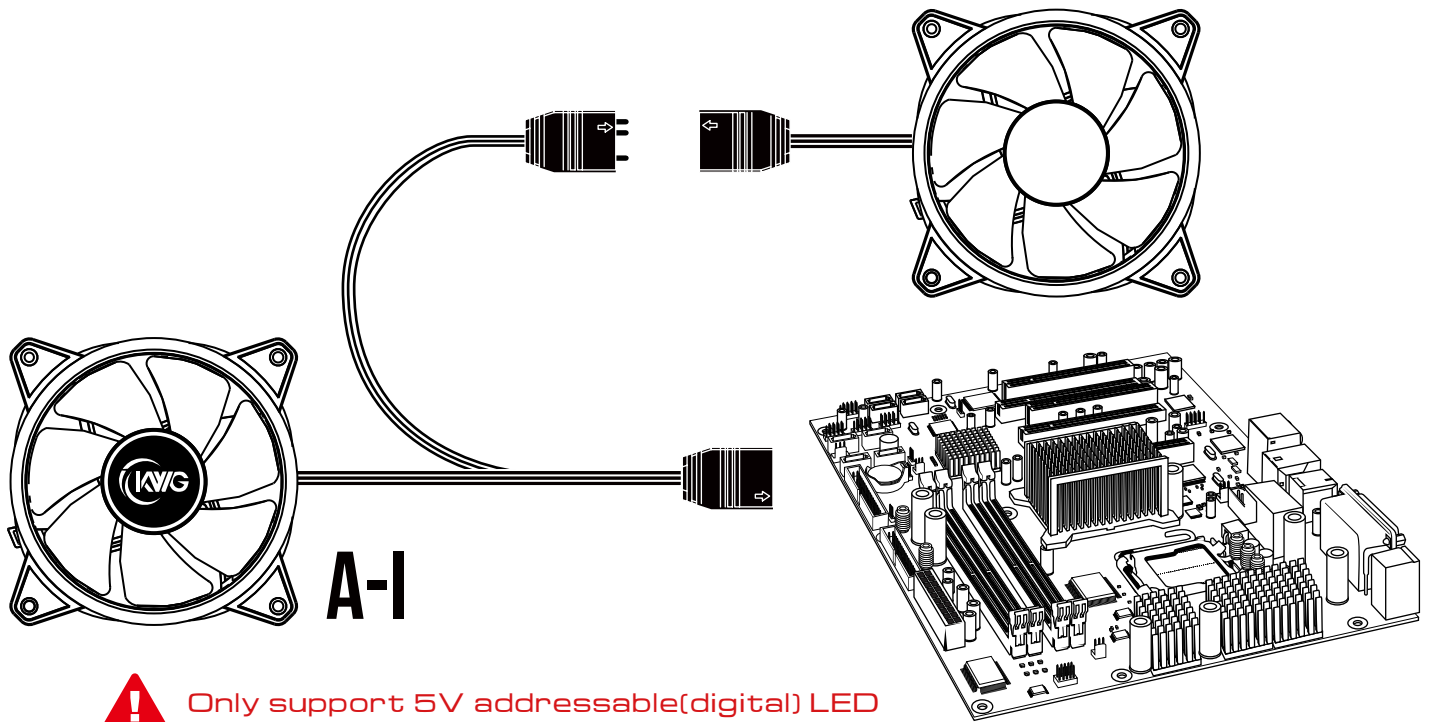


! CRATER M1-240 LITE only support 5V addressable (digital) RGB header



8

The design of male and female motherboard sync connectors to deal with insufficient 5V socket



9

Turn on the computer after installing

