



CETUS | M1

MULTIFUNCTION PC GAMING CHAIR

Assembly Demonstration

Package Contents



Tool

A x20

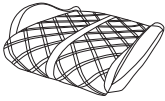
Base Support & Seat Back & Angle Adjuster Bolts

B x6

Black Screws for R/L Plastic Cover



Seat Back



Seat



Angle Adjuster (R)



Connector (L)



Lumbar Support Pillow



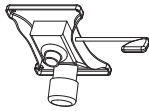
Head Pillow



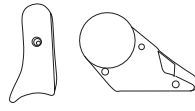
x5
Casters



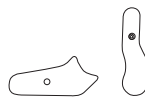
Armrest



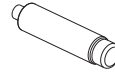
Mechanism Base Support



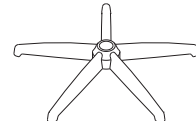
Plastic Cover (R)



Plastic Cover (L)

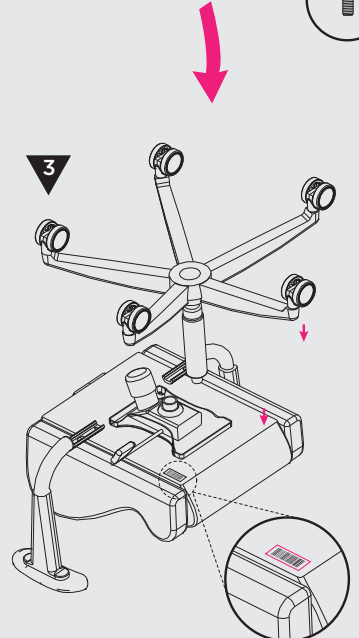
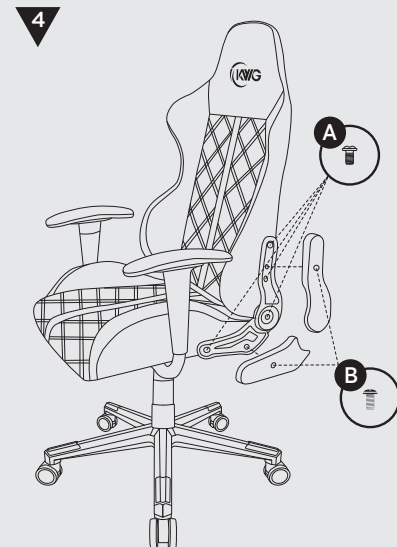
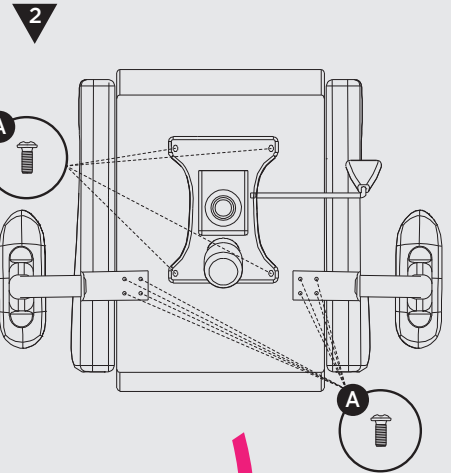
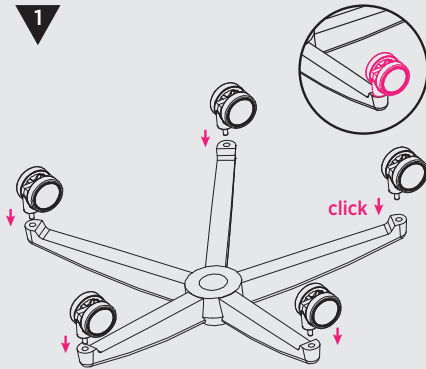


Gas Lift



5 Star Base

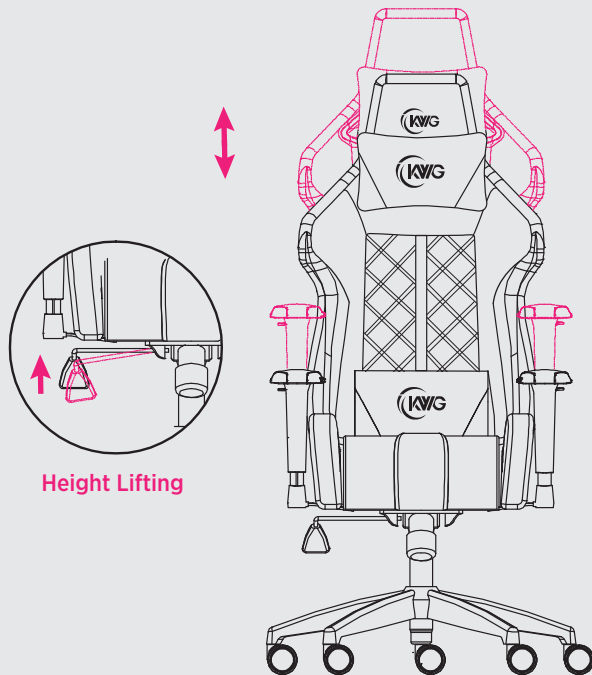
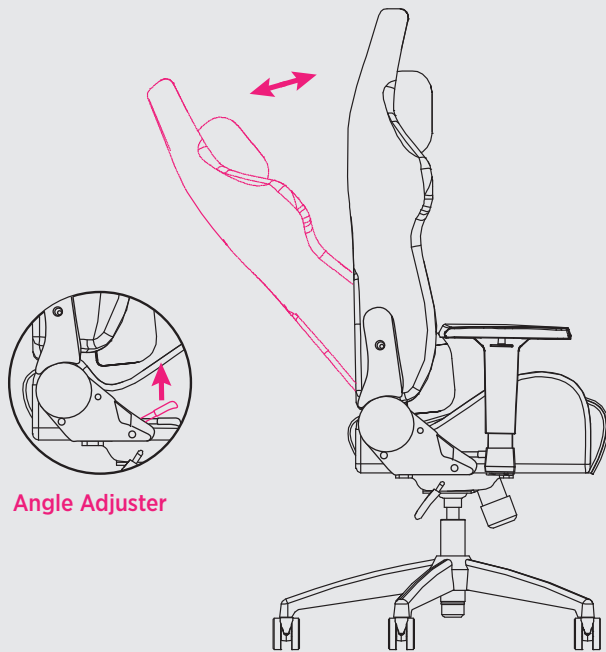
Assembly Instruction



serial number

Please keep the **serial number** of your chair for service use when contacting us at support@kworldgaming.com

Feature Demonstration



KWorld GAMING Technology Ltd. www.kworldgaming.com
6F, No.113, Jian 2nd Rd., Zhonghe Dist., New Taipei City 23585, Taiwan (R.O.C.)

© 2019 KWorld GAMING Technology Ltd. All rights reserved. All KWorld GAMING trademarks and logos are registered trademarks of KWorld GAMING Technology Ltd. All other trademarks and logos presented in this material are the property of their respective owners. KWorld GAMING Technology Ltd. reserves the right to revise the specifications mentioned on this packaging.

Made in China